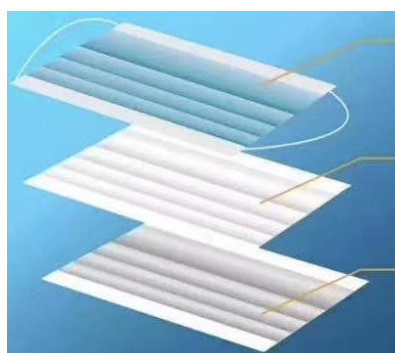
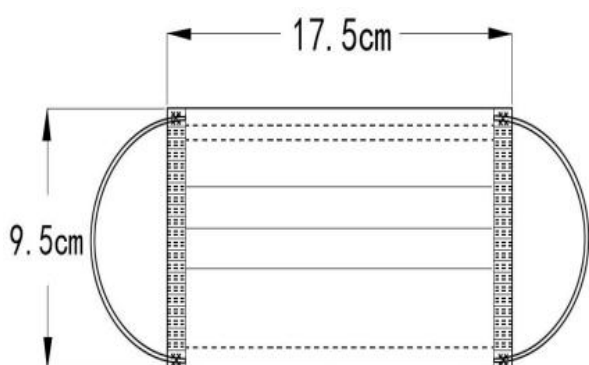




## Disposable Face Mask Specification



### Disposable 3layer Earloop Non Woven Face Mask



<b>Material</b>	SBPP+Melt blown filter paper+SBPP
<b>First layer(PP)</b>	PP non woven Weight: 25gsm
<b>Middle layer(Filter paper)</b>	Melt blown filter paper : 25gsm BFE>95%
<b>Third layer(PP)</b>	PP non woven Weight: 25gsm
<b>Size</b>	17.5*9.5cm
<b>Feature</b>	<ul style="list-style-type: none"> <li>● Single use, Eco-Friendly, Biodegradation, breathable and soft</li> <li>● latex and fiberglass free, adjustable nose clip bar.</li> <li>● anti dust, anti bacterial, anti virus, anti pollen, anti smog, anti droplets,etc.</li> </ul>
<b>Style</b>	Earloop(with elastic), outside elastic
<b>Color</b>	blue, white
<b>Package</b>	50pcs/box, 40box/ctn(2000pcs/ctn) Inner box size:18*10*7cm Carton size: 52*38*30cm
<b>Application</b>	Widely used for Medical/Industrial/Food/Beauty/Cleanroom/Personal,etc.